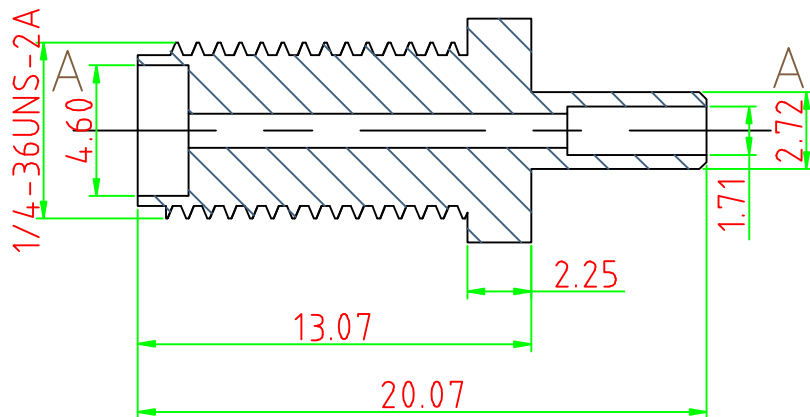
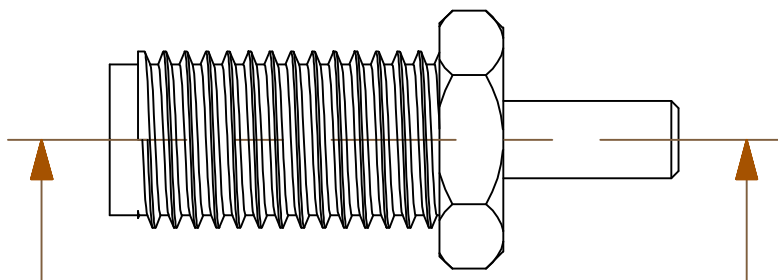
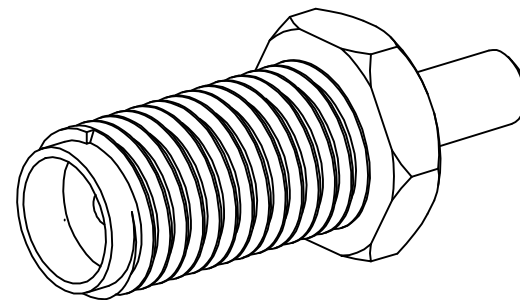


SECTION B-B



SECTION A-A



| | | | | | |
|--|--------|-------------------|------------------|-----------------|-------------|
| Draw up | Verify | Scale 1:1 | Filename | Date 2012/03/04 | Unit:MM |
| Email:Paypal@rfsupplier.com | | | S01-BH316-11BS00 | | |
| Company Website: www.rfsupplier.com | | TEL 8613923809471 | Drawing | Qinxianfeng | |
|  Shenzhen Superbat Electronics Co.,Ltd | | | A module cable | Page 1 | Open up 1/1 |