

1

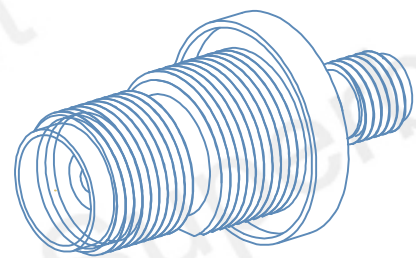
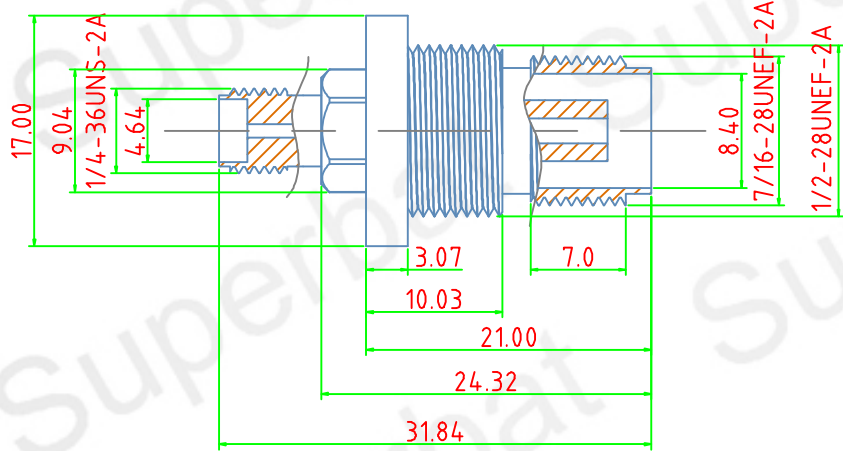
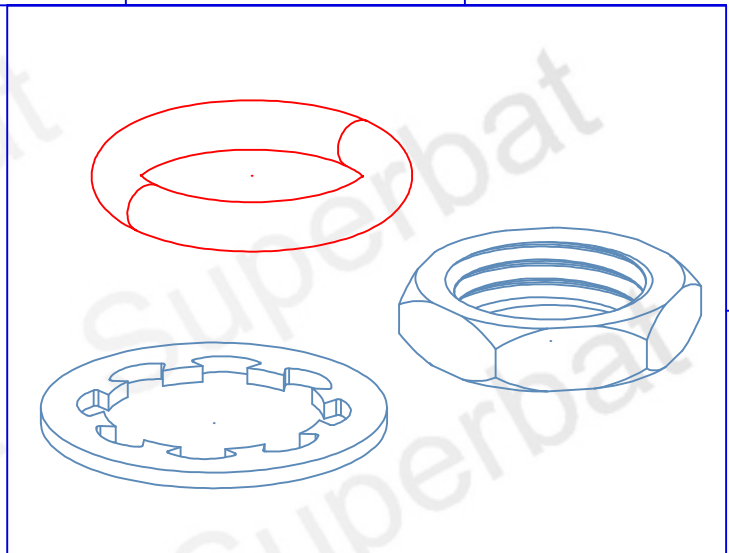
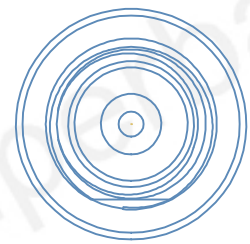
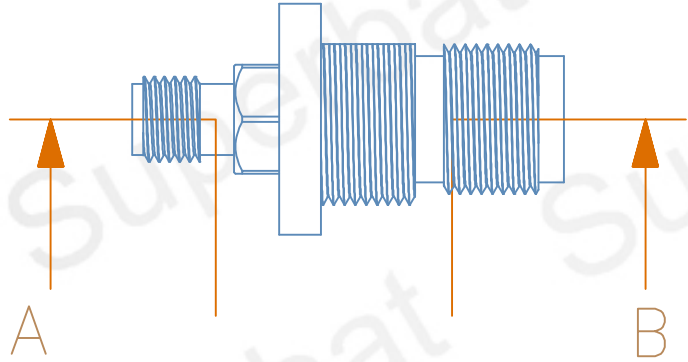
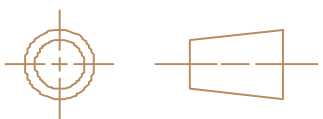
2

3

4

5

6



ALL DIMENSIONS IN MM
3D CAD MASTER PART NAME:

1

2

3

4

5

6