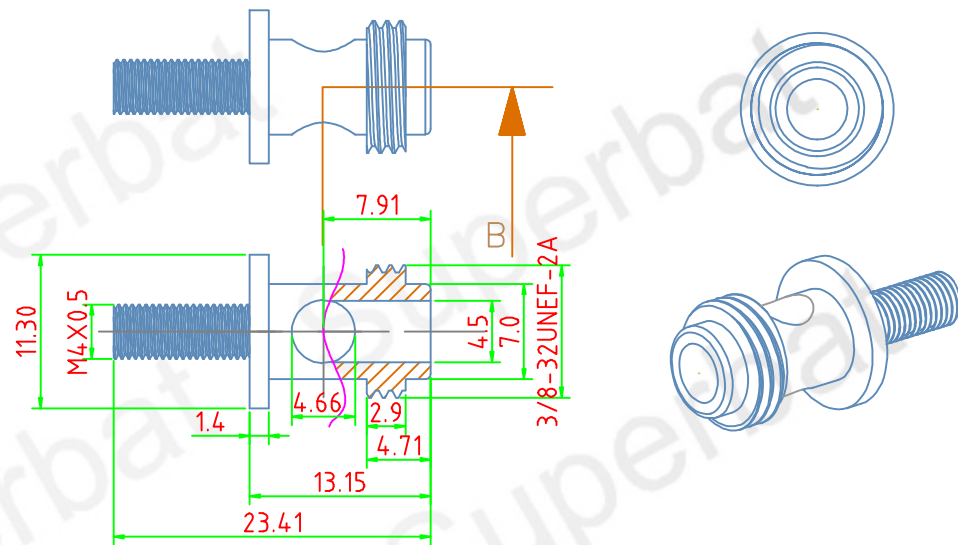
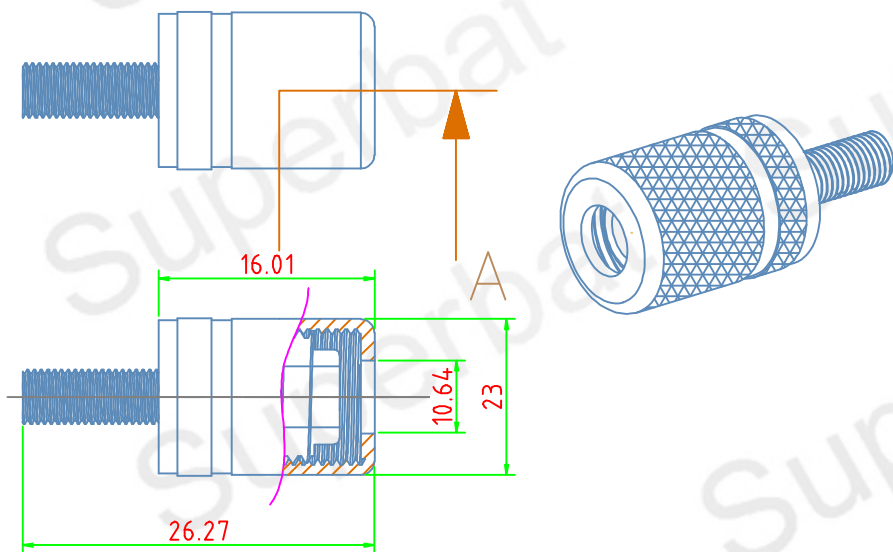


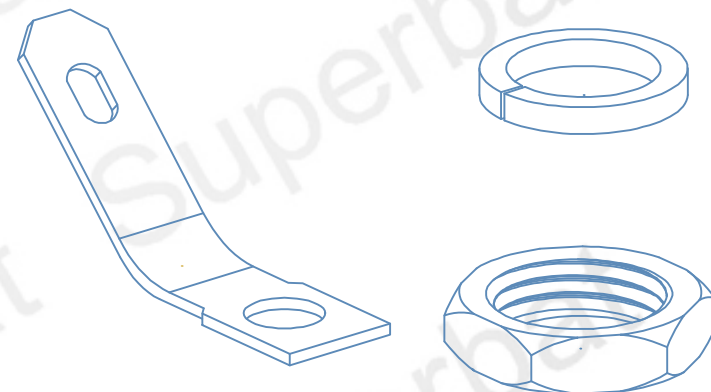
SECTION C—C



SECTION B—B



SECTION A—A



Draw up | Verify | Scale 1:1 | Filename | Date 2012/03/04 | Unit:MM

Email: Paypal@rfsupplier.com | BAP-1683

Company Website: www.rfsupplier.com | TEL 8613923809471 | Drawing | Qinxianfeng

XTAR Shenzhen Superbat Electronics Co.,Ltd | A module cable | Page 1 | Open up 1/1