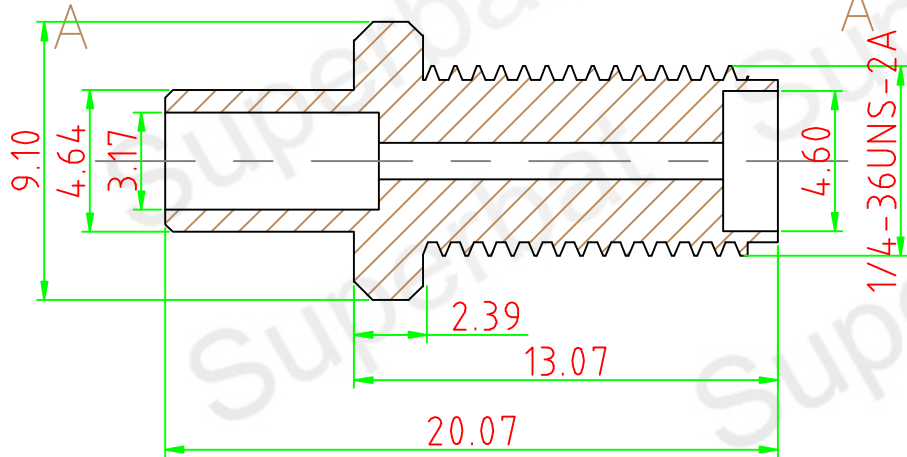
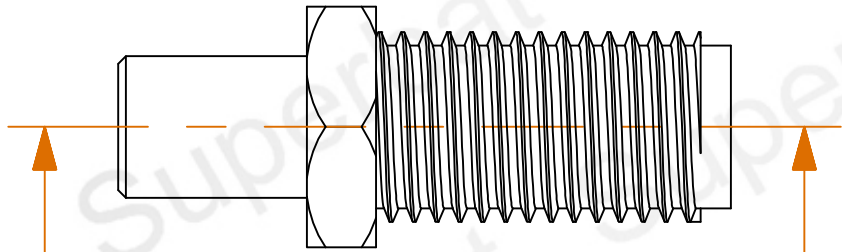
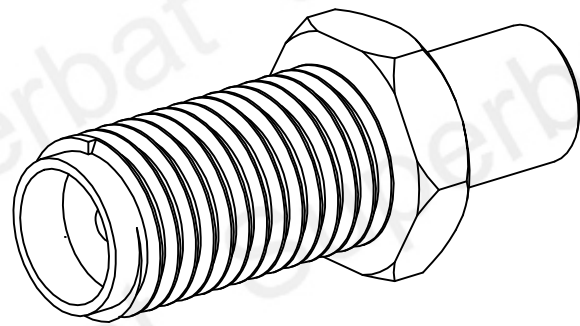
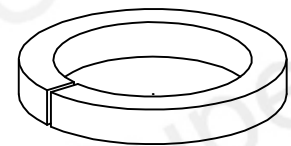
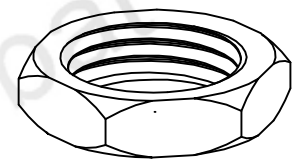
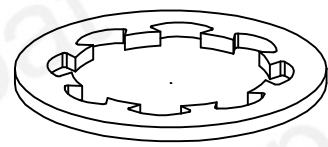


SECTION B-B



SECTION A-A



Draw up	Verify	Scale 1:1	Filename	Date 2012/03/04	Unit:MM
Email: Paypal@rfsupplier.com			S02-BHL19-11BS00		
Company Website: www.rfsupplier.com		TEL 8613923809471	Drawing	Qinxianfeng	
Shenzhen Superbat Electronics Co.,Ltd			A module cable	Page 1	Open up 1/1