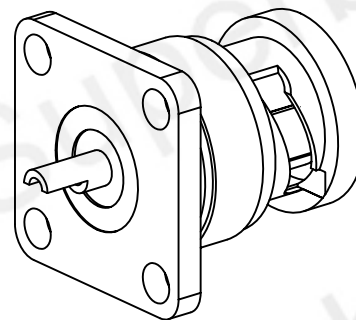



SECTION B—B



|   |        |                   |                  |                 |         |
|---|--------|-------------------|------------------|-----------------|---------|
| Draw up   | Verify | Scale 1:1         | Filename         | Date 2011/03/04 | Unit:MM |
| Email:Paypal@rfsupplier.com   |        |                   | B01-FPHL4-41BS01 |                 |         |
| Company Website: www.rfsupplier.com   |        | TEL 8613923809471 | Drawing          | Qinxianfeng     |         |
|  Shenzhen Superbat Electronics Co.,Ltd |        | A module cable    | Page1            | Open up 1/1     |         |