

1

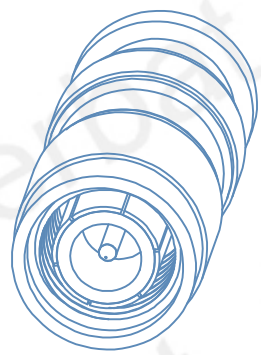
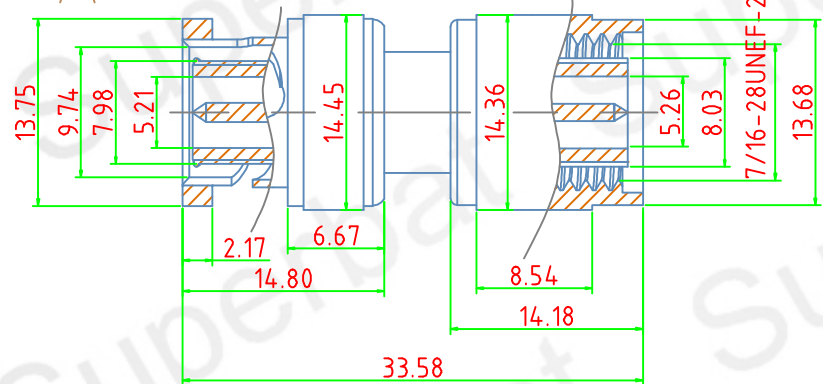
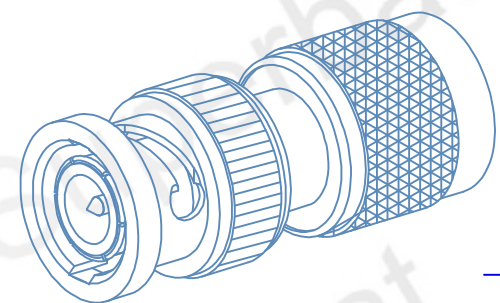
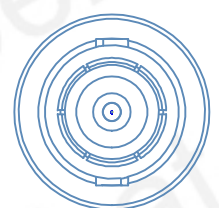
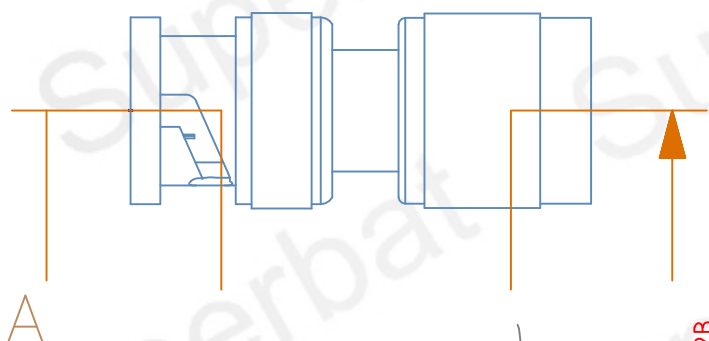
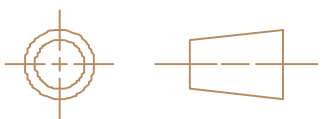
2

3

4

5

6



D

D

C

C

B

B

A

A

ALL DIMENSIONS IN MM
 3D CAD MASTER PART NAME:

1

2

3

4

5

6